



ТЕХНИЧЕСКИЙ КАТАЛОГ

# ОБРАТНЫЕ И ПОГРУЖНЫЕ КЛАПАНЫ: EUROPA®

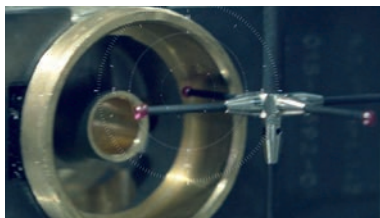
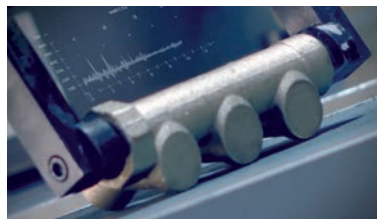
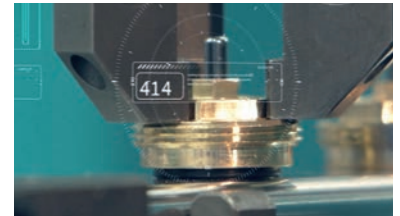
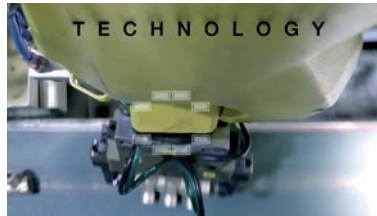


## > ПРЕДПРИЯТИЕ

Компания ITAP SpA была основана в г. Лумеццане (Брешиа) в 1972 году и в настоящее время является лидирующим производителем кранов, фитингов и распределительных коллекторов для систем водоснабжения и отопления.

Благодаря полностью автоматизированному производству, располагающему 85 автоматизированных станков и 55 сборочными линиями, Компания может выпускать по 400.000 изделий в день.

Стремление к новшествам и соблюдение технических нормативов подтверждено сертификатом ISO 9001. Ориентация на качество всегда считалась решающим фактором для достижения значительных коммерческих результатов: сегодня ITAP с гордостью предлагает товары, сертифицированные многочисленными организациями во всем мире.



> Изделия ITAP получили сертификацию более чем 30 сертификационных организаций во всем мире.





# ОБРАТНЫЕ И ПОГРУЖНЫЕ КЛАПАНЫ: EUROPA®

## 100 EUROPA® обратный клапан

Предназначен для домашнего водоснабжения, отопления, установок кондиционирования, систем сжатого воздуха.

М.б. установлен в любом положении: вертикально, горизонтально, наклонно.



РАЗМЕР	ДАВЛЕНИЕ	КОД ИТАР	УПАКОВКА
3/8" (DN 10)	25bar/362.5psi	1000038	10/130
1/2" (DN 15)	25bar/362.5psi	1000012	10/120
3/4" (DN 20)	25bar/362.5psi	1000034	8/88
1" (DN 25)	25bar/362.5psi	1000100	6/54
1"1/4 (DN 32)	18bar/261psi	1000114	4/36
1"1/2 (DN 40)	18bar/261psi	1000112	4/32
2" (DN 50)	18bar/261psi	1000200	2/20
2"1/2 (DN 65)	12bar/174psi	1000212	1/9
3" (DN 80)	12bar/174psi	1000300	1/6
4" (DN 100)	12bar/174psi	1000400	1/4

### КАЧЕСТВО



### ОПИСАНИЕ

Латунный корпус.

Диск - нержавеющая сталь.

Прокладка из NBR.

Пружина: нержавеющая сталь.

Минимальная и максимальная рабочие температуры: -20°C, 100°C.

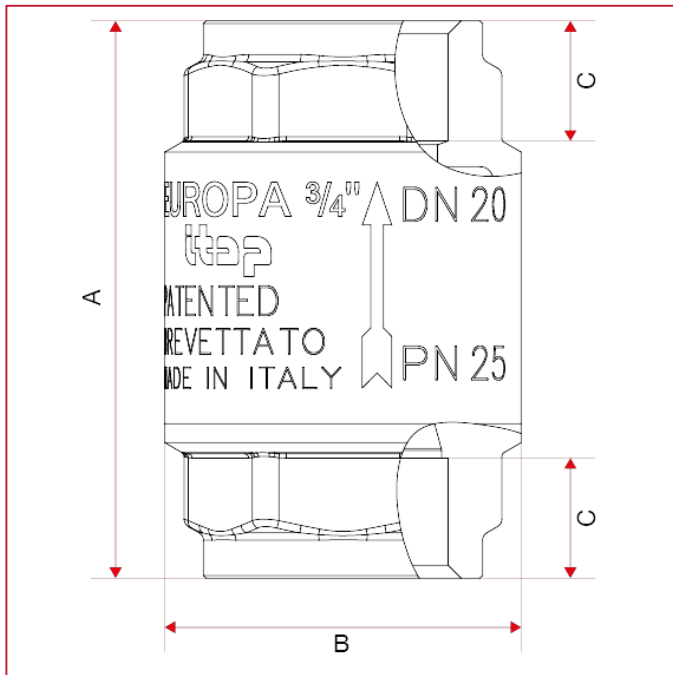
Резьбы: ISO228 (эквивалентно DIN EN ISO 228 и BS EN ISO 228).

Доступный также с NPT (Нормальная Трубная Резьба) резьбой в размерах 1/2" - 4"



# ОБРАТНЫЕ И ПОГРУЖНЫЕ КЛАПАНЫ: EUROPA®

## OVERALL DIMENSIONS



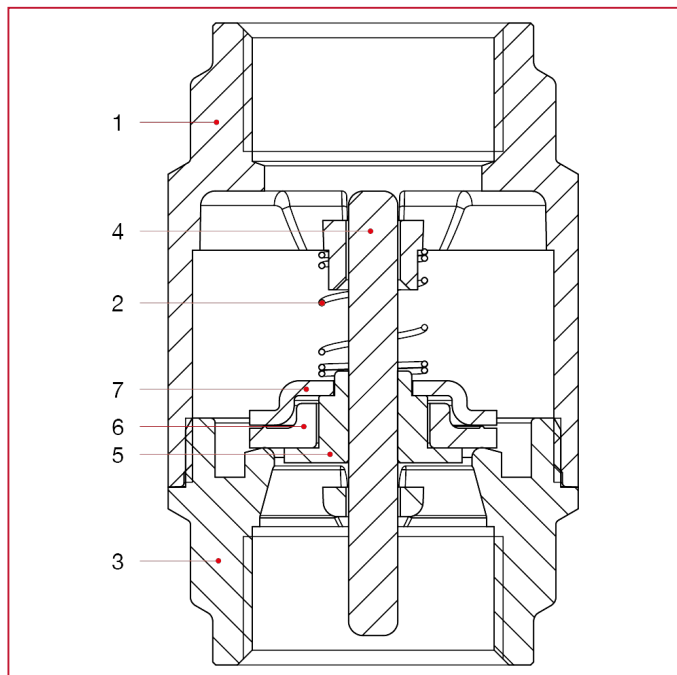
	3/8"	1/2"	3/4"	1"	1"1/4	1"1/2	2"	2"1/2	3"	4"
DN	10	15	20	25	32	40	50	65	80	100
A	55	58,5	65	74,5	83	93	101	122	141,5	158,5
A (NPT)	-	61	65	74,5	83	93	101	122	141,5	159,5
B	34,5	34,5	41,5	48	60,5	71	87	120	140	172
C	10,5	11,5	14	16,5	18,5	20,5	21	24	28	28
Kg/cm2 bar	25	25	25	25	18	18	18	12	12	12
LBS - psi	362,5	362,5	362,5	362,5	261	261	261	174	174	174





# ОБРАТНЫЕ И ПОГРУЖНЫЕ КЛАПАНЫ: EUROPA®

## MATERIALS



N.	ОПИСАНИЕ	КО Л.	МАТЕРИАЛ
1	Body	1	Brass CW617N
2	Spring	1	Stainless steel AISI 302
3	End adapter	1	Brass CW617N
4	Pin	1	Brass CW614N
5	Cap	1	Brass CW614N
6	Washer	1	NBR
7	Plate	1	Stainless steel AISI 304



## ОБРАТНЫЕ И ПОГРУЖНЫЕ КЛАПАНЫ: EUROPA®

### INSTALLATION

The EUROPA® check valves are uni-directional; that means they manage the flow in one direction only, which is indicated by the arrow on the body.

The valves are composed by a spring, a little valve and a couple of parts made of brass (body and end-adapter) which contain them and that are assembled but means of thread and a sealed material to obtain their aim.

In order to avoid that the sealed material gets broken and then the valve loses the connection between the body and the end-adapter, it's necessary to avoid to submit the two parts under the influence of a torque.

For the installation normal hydraulic practices must be used, and especially:

- for a proper installation of the valve, near curves and circulation pumps, the valve must be mounted at a distance equal to 10 times the diameter of the pipe.
- ones have to be sure that the two pipes are correctly aligned;
- during the assembling process the installer has to apply its assembling tools at the end that is nearest to the pipe;
- the application of the sealing materials by the fitter (PTFE or hempen cloth) must be limited at the thread zone. An excess should interfere in the ball gasket's closure zone, compromising the tightness;
- in case the fluid transported has got some impurities (dust, too hard water, and so on) it's necessary to remove impurities by or filter them, otherwise they could damage the seal.

### DISASSEMBLY

To remove the valve from the pipe line or anyhow before to unscrew the junctions linked to it:

- wear the protective clothing normally required to work with carried fluids;
- Depressurize the line;
- During the disassembling process, apply the key at the end of the valve, the one nearest the pipe.

### MAINTENANCE

Verify the valves periodically, in function of their application's field and in function of their work conditions, to be sure that the valves work correctly.

In case of losses of tightening, take note that these can be caused by a deposit of foreign bodies (dirty, calcareous) on the rubber seal.

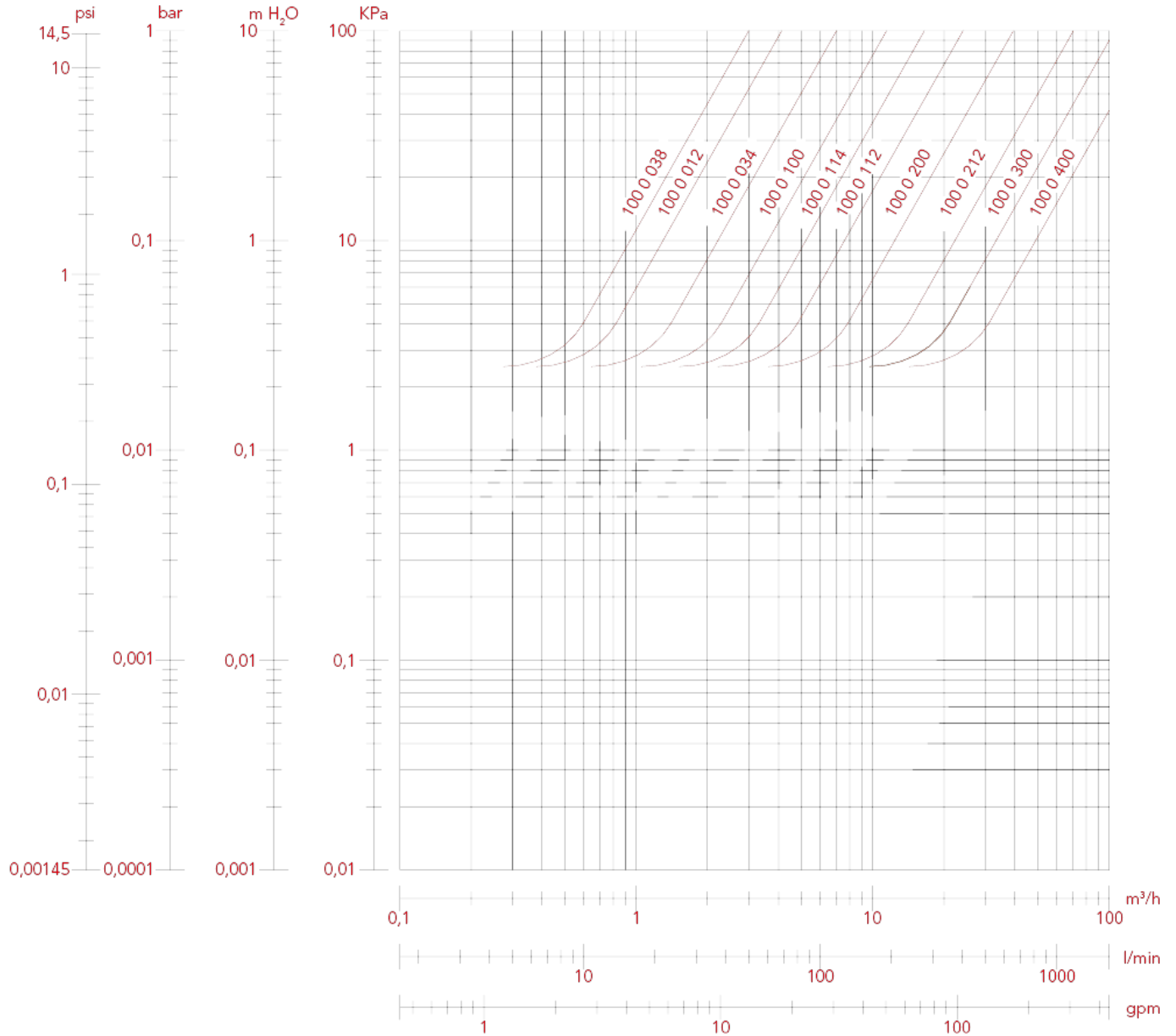
In order to solve this inconvenient, it's necessary to unmount the valve and remove the foreign body with compressed air tools.



# ОБРАТНЫЕ И ПОГРУЖНЫЕ КЛАПАНЫ: EUROPA®

## LOSS DIAGRAM (With water)

	3/8"	1/2"	3/4"	1"	1"1/4"	1"1/2"	2"	2"1/2"	3"	4"
KV	2,99	4,12	7,03	11,45	16,54	24,12	39,32	70,64	105,6	155,3

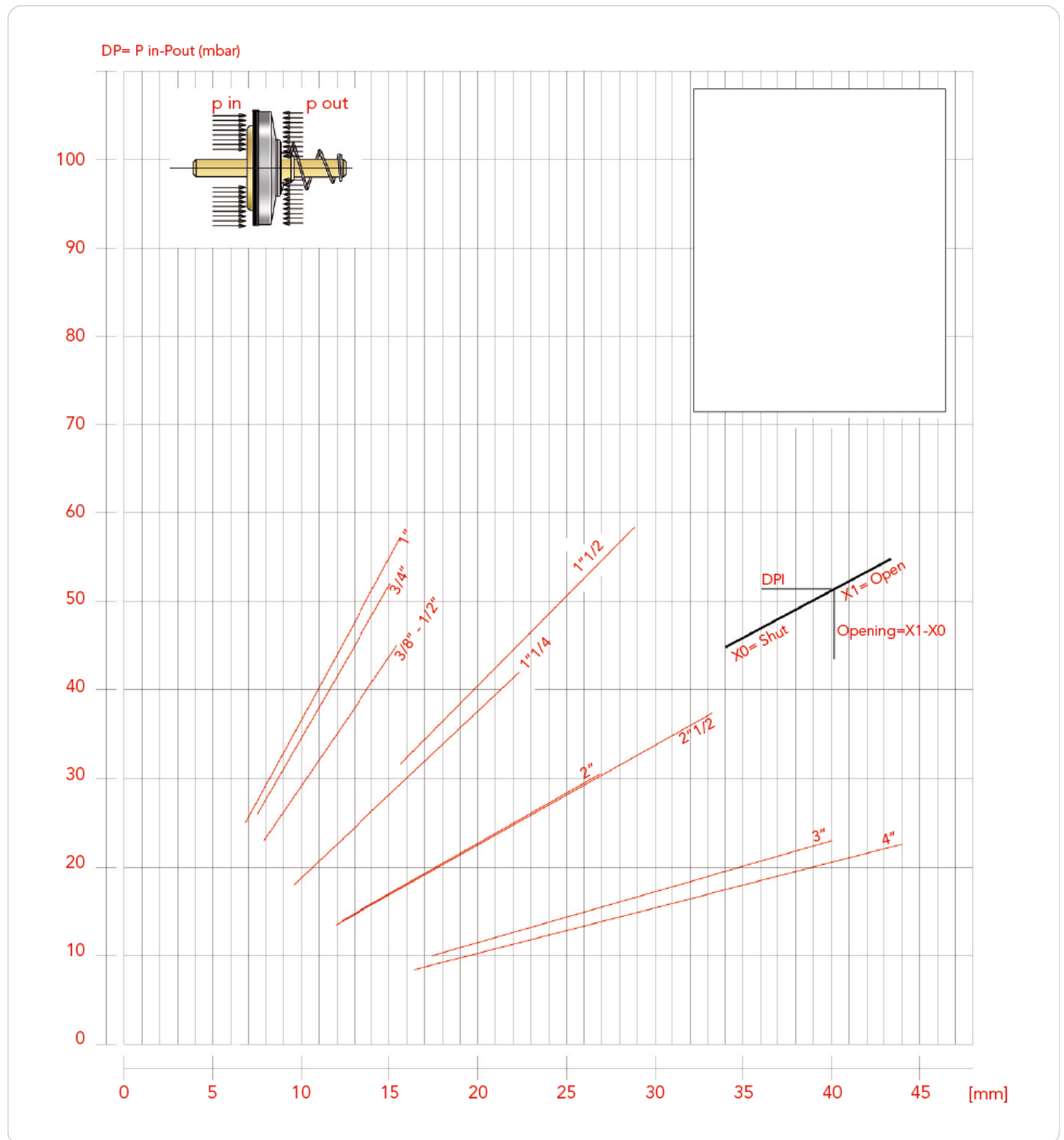




# ОБРАТНЫЕ И ПОГРУЖНЫЕ КЛАПАНЫ: EUROPA®

## DIAGRAM OF THE MINIMUM PRESSURE NEEDED TO GET THE VALVES OPENING

Открытие клапана происходит вследствие различия давления между двумя сторонами седла.

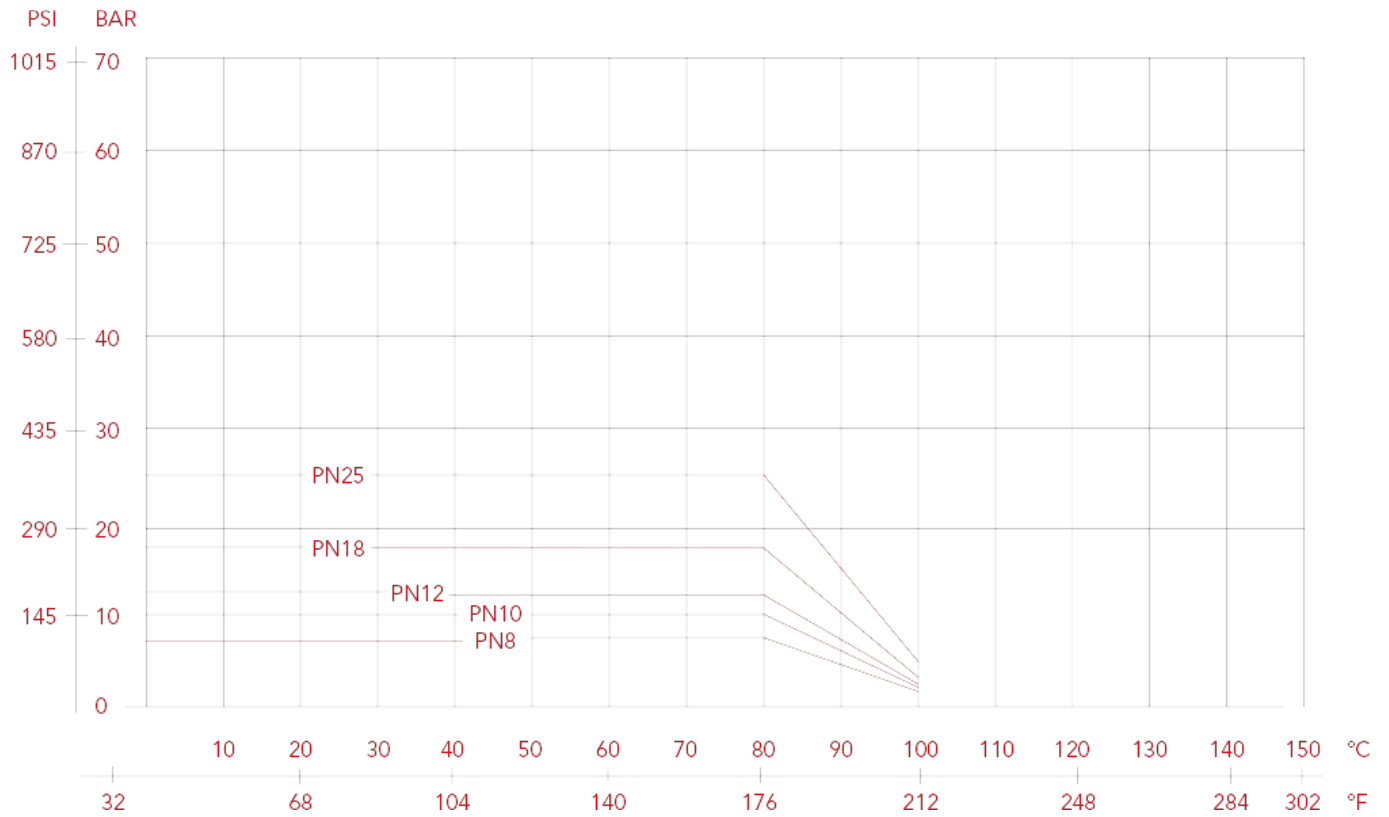




# ОБРАТНЫЕ И ПОГРУЖНЫЕ КЛАПАНЫ: EUROPA®

## PRESSURE-TEMPERATURE DIAGRAM

The values shown by the dropping lines state the maximum limit of employment of the valves.  
The shown values are approximate.







# ОБРАТНЫЕ И ПОГРУЖНЫЕ КЛАПАНЫ: EUROPA®

## 105 EUROPA® погружной клапан

Предназначен для домашнего водоснабжения, отопления, установок кондиционирования, систем сжатого воздуха.

М.б. установлен в любом положении: вертикально, горизонтально, наклонно.



РАЗМЕР	ДАВЛЕНИЕ	КОД ИТАР	УПАКОВКА
3/8" (DN 10)	25bar/362.5psi	1050038	8/120
1/2" (DN 15)	25bar/362.5psi	1050012	8/120
3/4" (DN 20)	25bar/362.5psi	1050034	6/90
1" (DN 25)	25bar/362.5psi	1050100	4/60
1"1/4 (DN 32)	18bar/261psi	1050114	4/32
1"1/2 (DN 40)	18bar/261psi	1050112	2/26
2" (DN 50)	18bar/261psi	1050200	2/14
2"1/2 (DN 65)	12bar/174psi	1050212	1/6
3" (DN 80)	12bar/174psi	1050300	1/5
4" (DN 100)	12bar/174psi	1050400	1/3

### КАЧЕСТВО



### ОПИСАНИЕ

Латунный корпус.

Диск - нержавеющая сталь.

Прокладка из NBR.

Пружина: нержавеющая сталь.

Фильтр ацетил-сополимер и нержавеющая сталь.

Степень фильтрации:- 3/8" - 2": 1200µm; -2"1/2 - 4": 2000 µm

Минимальная и максимальная рабочие температуры: -20°C, 100°C°.

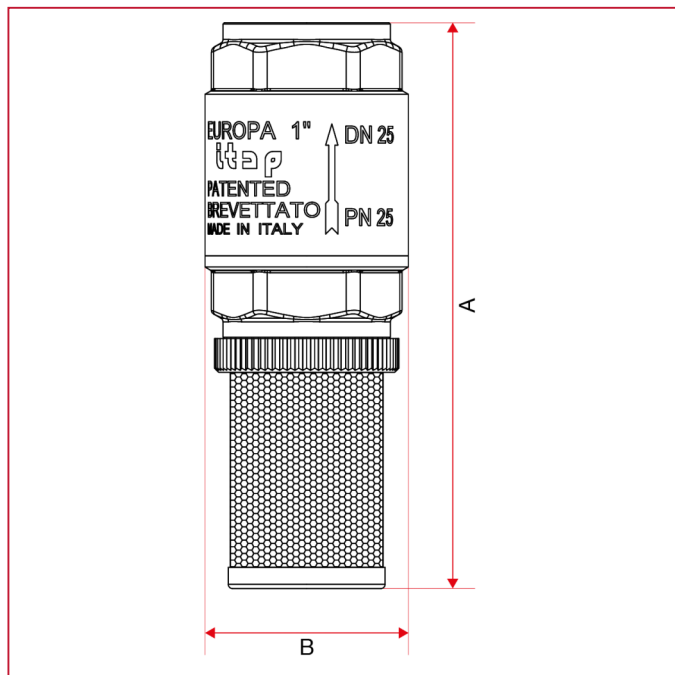
Резьбы: ISO228 (эквивалентно DIN EN ISO 228 и BS EN ISO 228).

Доступный также с NPT (Нормальная Трубная Резьба) резьбой в размерах 2"1/2 - 3" - 4".



# ОБРАТНЫЕ И ПОГРУЖНЫЕ КЛАПАНЫ: EUROPA®

## OVERALL DIMENSIONS

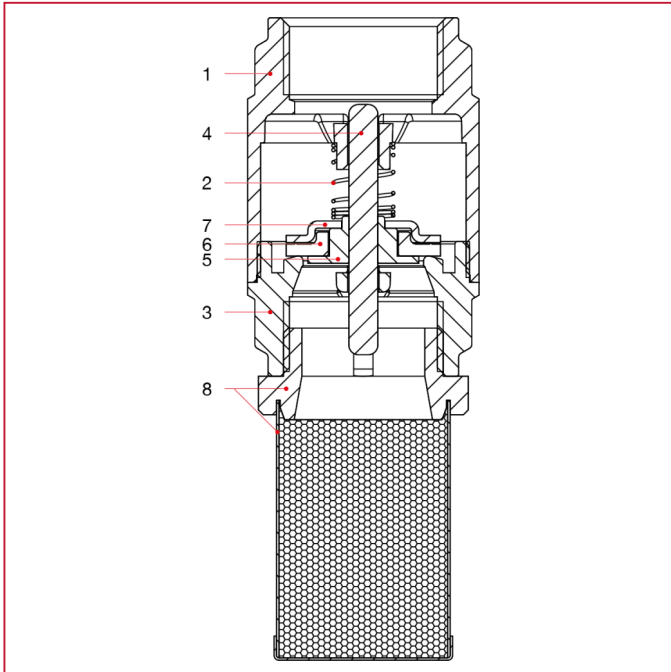


	3/8"	1/2"	3/4"	1"	1"1/4	1"1/2	2"	2"1/2	3"	4"
DN	10	15	20	25	32	40	50	65	80	100
A	90,5	98,5	115,5	134,5	148,5	165	188,5	230	264,5	297
B	34,5	34,5	41,5	48	60,5	71	87	120	140	172
Kg/cm <sup>2</sup> bar	25	25	25	25	18	18	18	12	12	12
LBS - psi	362,5	362,5	362,5	362,5	261	261	261	174	174	174



# ОБРАТНЫЕ И ПОГРУЖНЫЕ КЛАПАНЫ: EUROPA®

## MATERIALS



N.	ОПИСАНИЕ	КО Л.	МАТЕРИАЛ
1	Body	1	Brass CW617N
2	Spring	1	Stainless steel AISI 302
3	End adapter	1	Brass CW617N
4	Pin	1	Brass CW614N
5	Cap	1	Brass CW614N
6	Washer	1	NBR
7	Plate	1	Stainless steel AISI 304
8	Strainer	1	Polymer and Stainless steel AISI 304



## ОБРАТНЫЕ И ПОГРУЖНЫЕ КЛАПАНЫ: EUROPA®

### INSTALLATION

The EUROPA® check valves are uni-directional; that means they manage the flow in one direction only, which is indicated by the arrow on the body.

The valves are composed by a spring, a little valve and a couple of parts made of brass (body and end-adapter) which contain them and that are assembled but means of thread and a sealed material to obtain their aim.

In order to avoid that the sealed material gets broken and then the valve loses the connection between the body and the end-adapter, it's necessary to avoid to submit the two parts under the influence of a torque.

For the installation normal hydraulic practices must be used, and especially:

- for a proper installation of the valve, near curves and circulation pumps, the valve must be mounted at a distance equal to 10 times the diameter of the pipe.
- ones have to be sure that the two pipes are correctly aligned;
- during the assembling process the installer has to apply its assembling tools at the end that is nearest to the pipe;
- the application of the sealing materials by the fitter (PTFE or hempen cloth) must be limited at the thread zone. An excess should interfere in the ball gasket's closure zone, compromising the tightness;
- in case the fluid transported has got some impurities (dust, too hard water, and so on) it's necessary to remove impurities by or filter them, otherwise they could damage the seal.

### DISASSEMBLY

To remove the valve from the pipe line or anyhow before to unscrew the junctions linked to it:

- wear the protective clothing normally required to work with carried fluids;
- Depressurize the line;
- During the disassembling process, apply the key at the end of the valve, the one nearest the pipe.

### MAINTENANCE

Verify the valves periodically, in function of their application's field and in function of their work conditions, to be sure that the valves work correctly.

In case of losses of tightening, take note that these can be caused by a deposit of foreign bodies (dirty, calcareous) on the rubber seal.

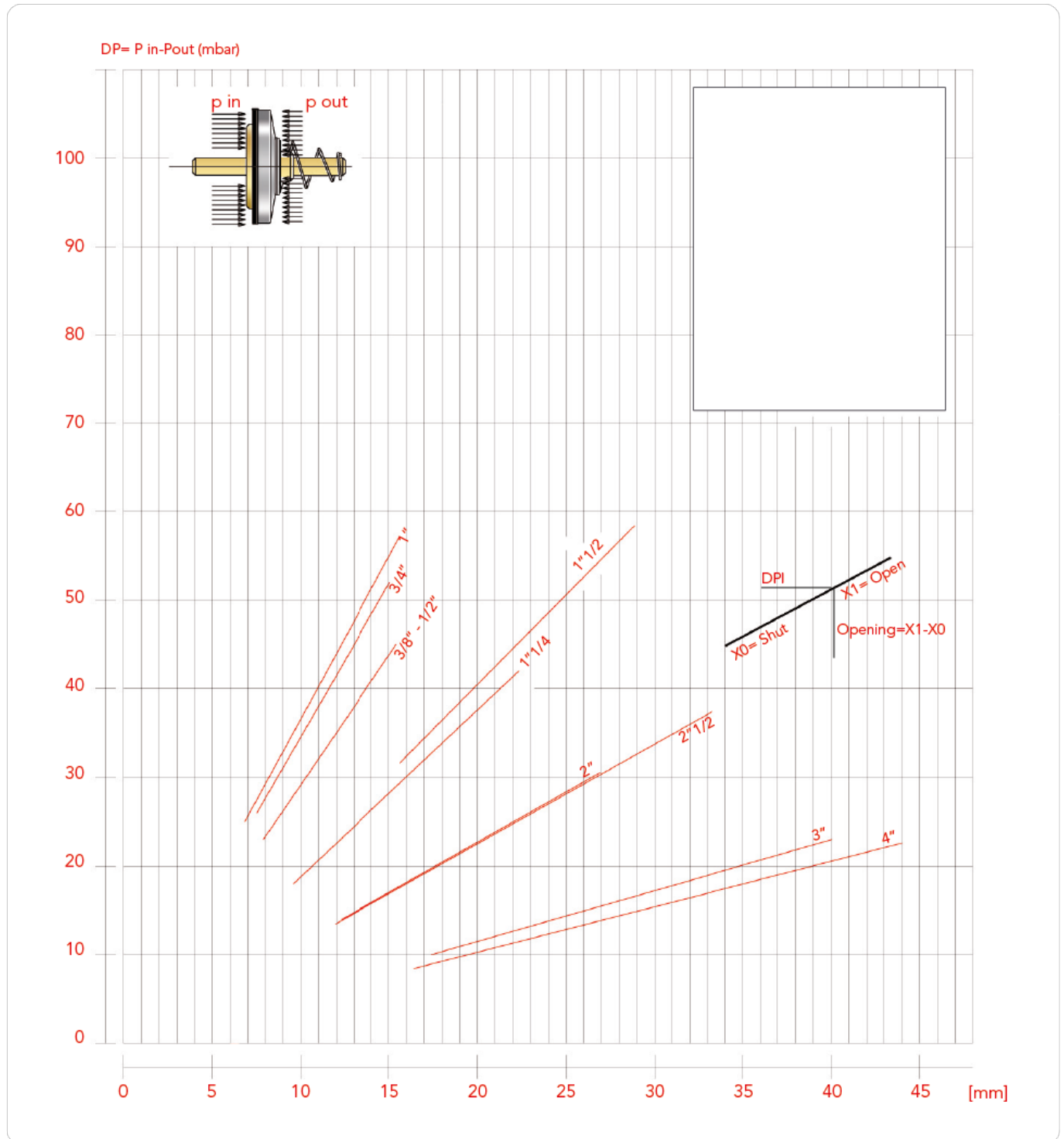
In order to solve this inconvenient, it's necessary to unmount the valve and remove the foreign body with compressed air tools.



# ОБРАТНЫЕ И ПОГРУЖНЫЕ КЛАПАНЫ: EUROPA®

## DIAGRAM OF THE MINIMUM PRESSURE NEEDED TO GET THE VALVES OPENING

Открытие клапана происходит вследствие различия давления между двумя сторонами седла.



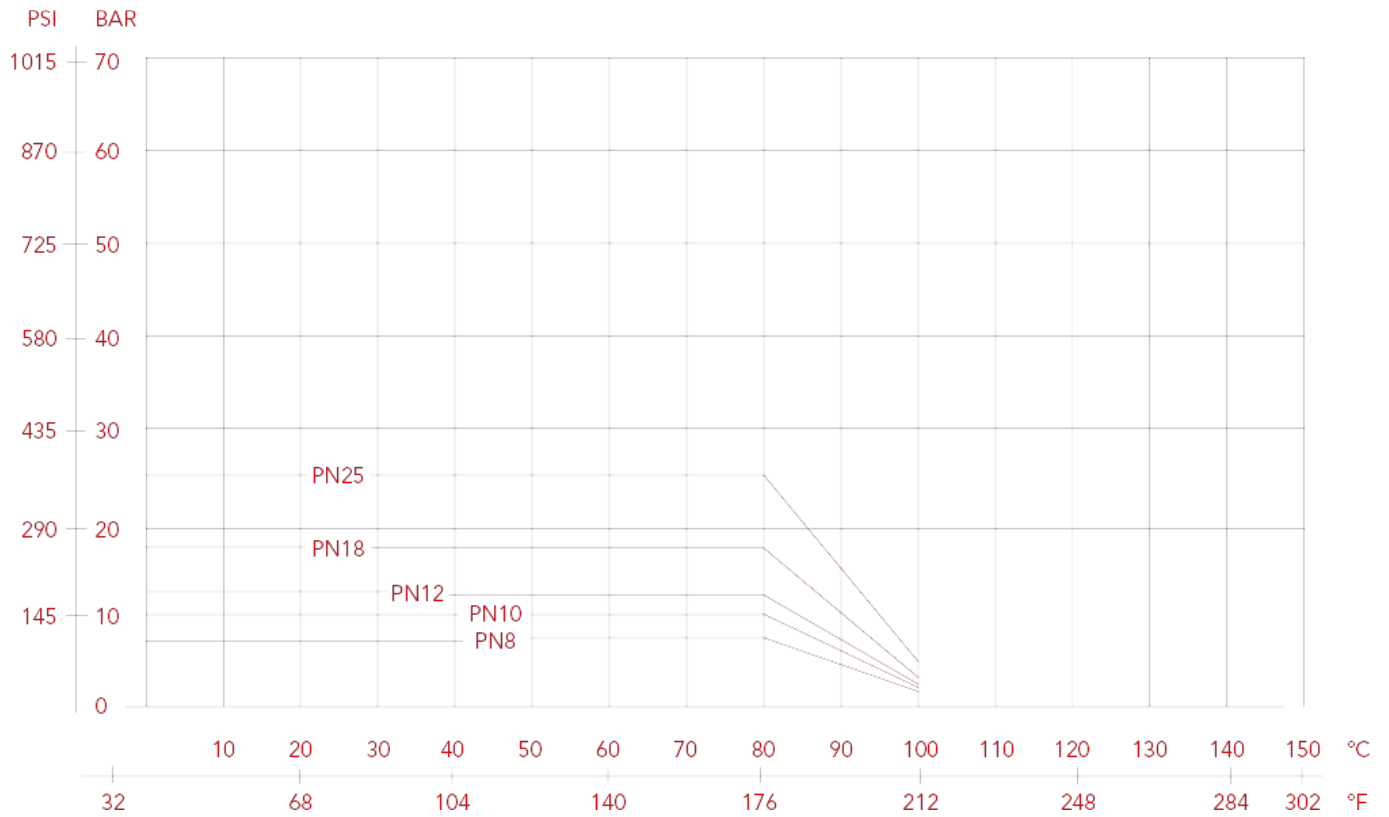




# ОБРАТНЫЕ И ПОГРУЖНЫЕ КЛАПАНЫ: EUROPA®

## PRESSURE-TEMPERATURE DIAGRAM

The values shown by the dropping lines state the maximum limit of employment of the valves.  
The shown values are approximate.





**ITAP S.p.A.**  
Via Ruca 19  
25065 Lumezzane  
Brescia (ITALY)  
Tel 030 8927011  
Fax 030 8921990  
[www.itap.it](http://www.itap.it) - [info@itap.it](mailto:info@itap.it)

We reserve the right to make improvements and changes to the products described herein and to the relative technical data, at any time and without forewarning.

rev. 20210525